

STRONG

Mbps
600
Mbit/s

POWERLINE WI-FI 600 KIT

Extend your Wi-Fi from any power socket!



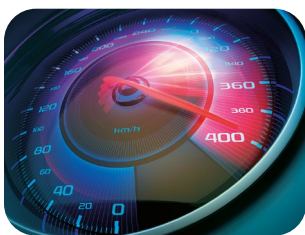
The Powerline Wi-Fi 600 kit includes one Powerline 600 adapter and one Powerline Wi-Fi 600 adapter. It creates in a very simple way a high-speed Wi-Fi hotspot at a speed up to 300 Mbit/s using your home's existing electrical wiring.

Simply connect the Powerline 600 adapter to your existing Internet modem through an Ethernet port and you will immediately have an Internet connection available at any power socket. Then by using a Powerline Wi-Fi 600 adapter you can create a new Wi-Fi hotspot in the room of your choice and extend your Wi-Fi home coverage in minutes.

No new wires required! Connect computers, consumer electronics, smartphones, tablets and additional network-compatible devices to the Internet simply by using your power outlets.

The installation is extremely easy with a zero-time configuration and requires no expertise. With Powerline Wi-Fi 600 Kit, create your own Wi-Fi hotspot at speeds up to 300 Mbit/s in any power socket of your home and extend your Wi-Fi network further.

Performance



- Kit of 1 Powerline 600 adapter + 1 Powerline Wi-Fi 600 adapter
- Powerline HomePlug™ AV standard
- Powerline speed up to 600 Mbit/s
- Wi-Fi speed up to 300 Mbit/s
- 802.11n/b/g Wi-Fi standards
- Works with any standard modem or router

Coverage & Reliability



- Range of 300 meters over electrical circuit for Powerline
- 2x adjustable external antennas on Powerline Wi-Fi 600 adapter for maximum coverage and reliability
- Plug&Play installation in a minute

Security



- Powerline 128 bit AES encryption for network security and data protection
- WPA/WPA2 for a high level of Wi-Fi security
- Connect & Secure button for an optimum network security

Connections



- Integrated extra power socket with power output of up to 16 A for the Powerline 600 adapter
- 2 Ethernet LAN ports for the Powerline Wi-Fi 600 adapter to connect any computer, set-top-box, Smart TV, game console, ...

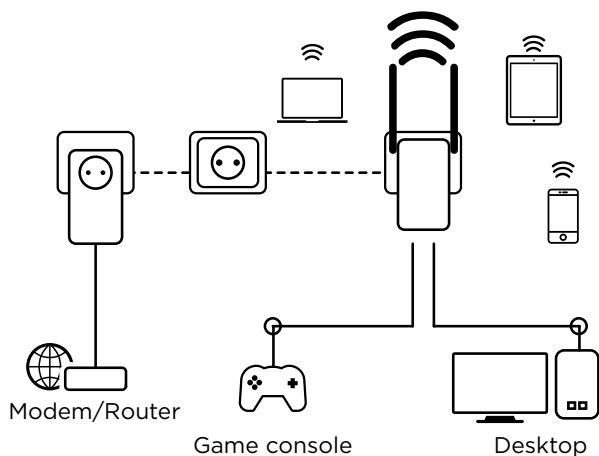
POWERLINE WI-FI 600 KIT

Powerline Wi-Fi 600 Adapter

Frequency Wi-Fi	2.4 GHz
Frequency Powerline	2 MHz ~ 68 MHz
Standards Wi-Fi	IEEE 802.11n/g/b, IEEE 802.3, IEEE 802.3u
Standards Powerline	HomePlug™ AV, IEEE 802.3, IEEE 802.3u
Signal Rate Wi-Fi	Up to 300 Mbit/s
Signal Rate Powerline	Up to 600 Mbit/s
Security Wi-Fi	WEP, WPA/WPA2, WPA-PSK/WPA2-PSK
Security Powerline	128 bit AES
Antenna	2x 3dBi omnidirectional, adjustable
Transmit Power Wi-Fi	Europe: <20 dBm
Supported Channels	2.4 GHz: 1, 2, 3, 4, 5, 6, 7, 8, 9, 10, 11, 12, 13
Ethernet Ports	2x 10/100 Mbp LAN port (Auto MDI/MDIX)
Button	Connect & Secure, Reset/WPS
LEDs	Power, Ethernet, Powerline, Wi-Fi
Size (WxDxH) in mm	101,5 x 71,5 x 184
Weight in kg	0.17

Powerline 600 Adapter

Frequency	2 MHz ~ 68 MHz
Standards	HomePlug™ AV, IEEE 802.3, IEEE 802.3u
Interface	10/100M Ethernet, Extra Power Socket 250 V AC 16 A max.
Button	Connect & Secure/Reset
LEDs	Power, Powerline, Ethernet
Power	100 - 240 V, 50/60 Hz
Security	128 bit AES
Range	Up to 300 meters over electric circuit
Size (WxDxH) in mm	60 x 74 x 117
Weight in kg	0.16



Others

Certification	CE
Package Contents	1x Powerline Wi-Fi 600 Adapter 1x Powerline 600 Adapter 2x Ethernet cables, Installation instructions, Windows 7, 8, 8.1, 10, Mac OS X, Linux, Internet Browser
System Requirements	
Environment	
Operating temperature:	0 °C ~ +40 °C
Storage temperature:	-40 °C ~ +70 °C
Operating humidity:	10%~90% non-condensing
Storage humidity:	5%~90% non-condensing

POWERLWF600DUOUKV2 EAN: 9120072375569

PCB: 10