

Installation & Connections Details

MX Call Points

SURFACE CALL POINT

This call point comes complete with back box to which the call point is mounted. The back box incorporates rear entry and fixing holes.

Template* allows for drilling one or two 20mm cable glands.

FLUSH CALL POINT

The flush call point mounts into the standard U.K. single gang back box with a depth of 25mm or greater.

TEST RESET

Push key into slot under side right (see diagram A)†, push up then turn clockwise 90° then pull down. The call point is now activated. To end test reverse procedure.

NB For break glass or plastic element front cover removal and fitting, push key into lock middle bottom front, see diagram, turn anti clockwise 90° remove, reverse procedure for locking.

QUADRUPLE POLE TEST

Insert element, push up to three microswitches. Put tee-lever behind glass, bottom left, pull microswitch button down push element into place. Unit is now ready.

To test: Remove lid, remove element test then proceed as above. **DO NOT UNDER ANY CIRCUMSTANCES APPLY ANY FORCE, THIS WILL INVALIDATE THE WARRANTY.**

MX CALLPOINT ACCESSORIES

- MX00** Surface Mounting Box
- MX01** Test Key.Lock/Release Packs of 10
- MX02** Spare Glass Packs of 10
- MX03** Polycarbonate Transparent Hinged Cover
- MX04** Resettable Plastic Element Packs of 10

All callpoints are available in flush or surface, all types extra resistors fitted. Customers own labeling, customer fitted address boards for addressable/analogue systems.

Standard colours: Green, Red, Blue Yellow & White.

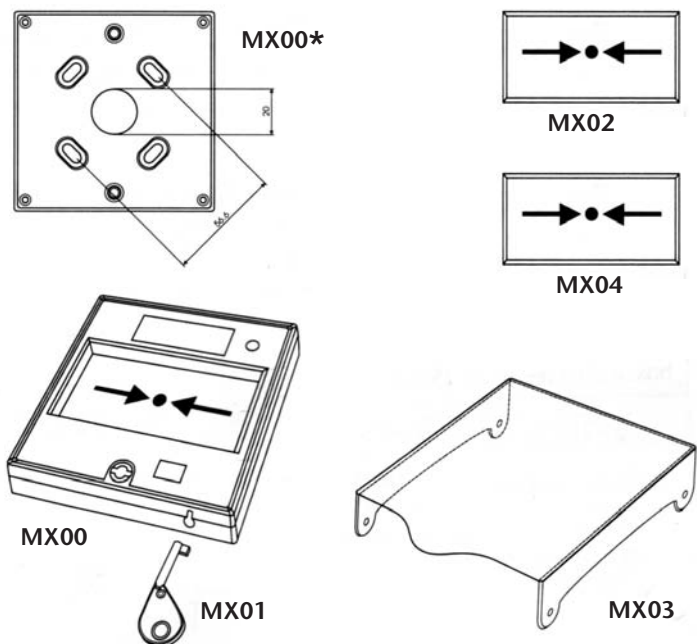
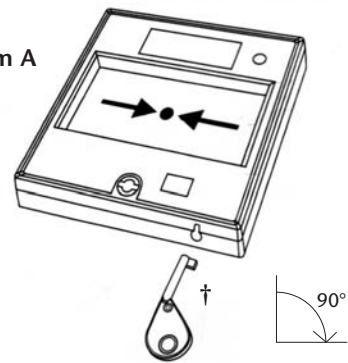
Either glass or resettable elements are compatible for all MX call points.

Specials available on request.

MX Callpoints: Patent applied for No: 0506447.2

MODEL	Standard	LED	NO	C/O
CONFIGURATION	Normally Open	Normally Open	Normally Open	Change Over
TERMINAL DETAILS	Terminals IN and OUT for cables 0.28mm ² ~ 2.5mm ² Terminal (1) Common Terminal (2) Normally Closed Terminal (3) Normally Open			
RATINGS & TEMPERATURE RANGE	Max 30 Volts DC -40°C to +85°C		5 amp 50 volts/DC 5 amp 12.5 volts/AC 3 amp 250 volts/AC	
MATERIALS	Details available on request			
IP RATING	For internal use only			

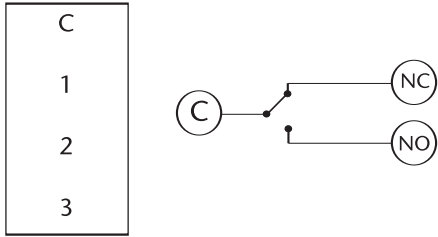
Diagram A
MX00



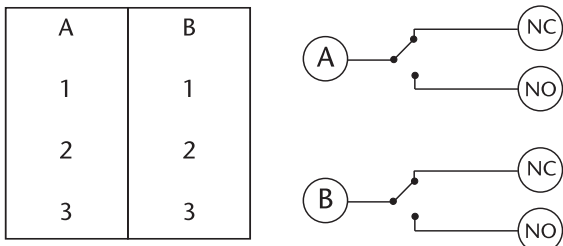
MANUFACTURED TO SPECIFICATIONS
EN54 PART 11

Installation & Connections Details MX Call Points

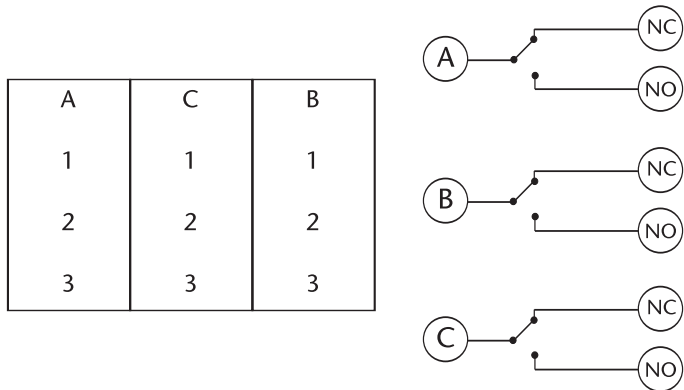
SINGLE POLE CONNECTIONS



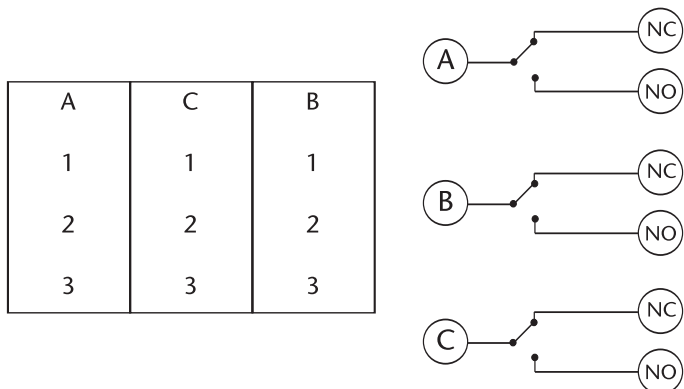
DOUBLE POLE CONNECTIONS



TRIPLE POLE CONNECTIONS



QUADRUPLE POLE CONNECTIONS

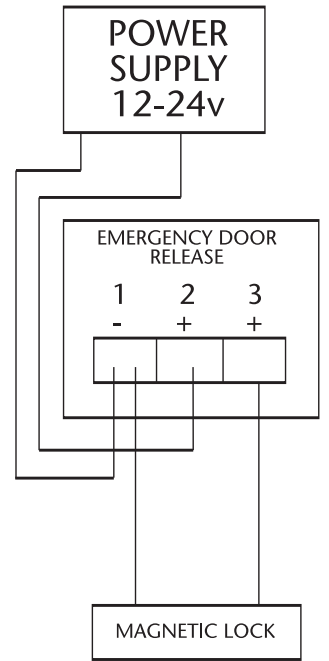


MAGNETIC LOCK RELEASE

Terminal (1) negative (-)
LOOP IN/OUT

Terminal (2) positive (+)
IN

Terminal (3) Positive (+)
OUT

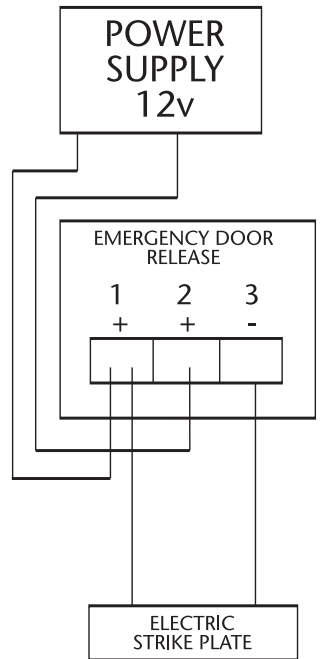


EMERGENCY DOOR RELEASE

Terminal (1) Positive (+)
IN

Terminal (2) positive (+)
OUT

Terminal (3) negative (-)
IN/OUT



SUBMINIATURE M/SWITCH

