



Product data sheet

ZP755B-2P

Addressable Base Sounder (Polar White)

General

The ZP755B-2P POLAR WHITE base sounder combines a detector base and audible sounder in a single stylish moulding. The unit provides an elegant solution for areas where the installation of a separate detector and sounder would prove expensive, both in equipment capital value and system wiring costs. Installation time is further reduced as the moulding plugs directly onto a first fix base eliminating the need for any internal connections.

The ZP755B-2P is perfectly suited for any location involving multiple alarm sounders, for example hotel bedrooms and risk areas comprising many small compartments.

Independent addressing for the detector and alarm facility is featured, with sound levels conforming to EN54 Part 3.

Advanced acoustic design

High efficiency acoustic design and a low energy sound gun transducer enable up to 60 sensors with sounder bases to be connected to a 1 km loop of 1.5mm² cable, with a wiring run of 50 metres to the first device. In systems where loop lengths or current requirements are excessive, the sounder base can be powered directly from an external power supply.

Microphone output test

The ZP755 range features a unique self test facility that is automatically activated during routine sounder testing. A built in microphone circuit measures sound output level and automatically signals the sounder address to the control panel, should the output test fail.

Continuous, intermittent and two-tone audible outputs are available from which any combination can be chosen to provide alert and evacuate, two stage alarms. Sound types comply with most international codes (e.g. BS 5839 Part 1 recommended frequencies).



Details

- Detector and sounder from a single wiring point – minimising installation costs
- Powered directly from the ZP loop
- Up to 60 detectors with sounders directly on the loop
- Separate addresses selectable for detector and sounder
- High efficiency sound gun transducer
- Compatible with all ZP loop devices
- Wide range of international sound types and frequencies
- EN54:3 approved and CPR certified

ZP755B-2P

Addressable Base Sounder (Polar White)

Technical specifications

General

Compatibility	All ZP7 addressable systems
---------------	-----------------------------

Electrical

Operating voltage	Loop 19.5 to 20.5 V External 18 to 30 VDC
-------------------	--

Sounder

Output level	<79 dB(A) (tone dependant)
Selectable tones	user configurable

Physical

Physical dimensions	127 x 47 mm (Ø x H)
Net weight	150 g
Colour	Polar white
Mounting type	Surface mount
Material	Moulded thermoplastic

Environmental

Operating temperature	-10 to +60°C
Storage temperature	-20 to +70°C
Relative humidity	1 to 95% (noncondensing)
Environment	Indoor
IP rating	IP21C

Standards & regulation

Certification	EN54-3
Standards	CPR Certified

Mounting

	Surface mount with plug in base - SPB-2P (White)
--	--

Loop current

Quiescent (when loop powered)	820µA
Active (when loop powered)	4.5mA
Quiescent (when externally powered)	470µA
Active (when externally powered)	500µA

Devices per loop (max)

	60 (1km loop of 1.5mm ² cable, 50 m to first device)
--	---

Wiring

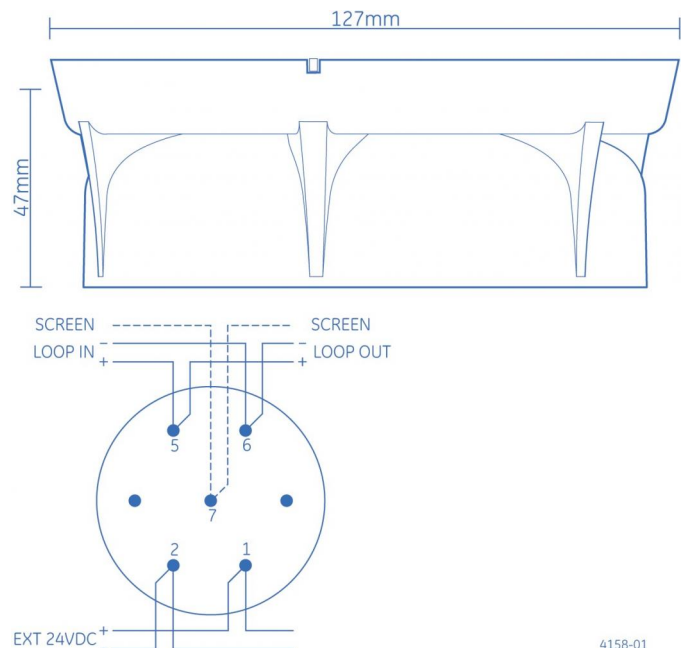
	2 core loop
--	-------------

Monitoring

	Open/short circuit, sound output, removal, device type
--	--

Addressing method

	7 way dipswitch
--	-----------------



4158-01