



Euro-fi Wireless Wall Sounder VAD (EUW-SBR-01)

The Wireless Wall Sounder VAD combines the Wireless Wall Sounder Module with the Conventional Wall Sounder VAD.

The Wireless Wall Sounder VAD is a EN 54-3 (Type B) and EN 54-23 compliant visual/alarm device, equipped with 3 levels of volume adjustment, high output LED beacon, and 32 recognised tones which can be set locally at the sounder.

The wireless wall sounder VAD, once properly connected to a wireless system on a compatible loop, is fully controlled by the panel and benefits from an extensive range of intelligent control, test and monitoring functionality. Adaptive radio signal processing algorithms ensure the highest levels of life safety and reliability.

TECHNICAL DATA

Operating frequency range	868 – 870 MHz
Max radiated power	14dBm (25mW)
Acoustic frequency range	400-2900Hz
Maximum acoustic output	100dB(a) ± 3
Visual Alarm Device (VAD) colour	White
Visual Alarm Device (VAD) frequency	0.5Hz
VAD flash coverage	W-2.5-7 (EN 54-23)
IP rating	X5
Batteries	2 x CR123A (3V & 1.2Ah)
Max humidity (non condensing)	85% RH
Operating temperature	-10°C to +55°C
Weight	380g
Dimensions	132mm x 126mm x 92mm

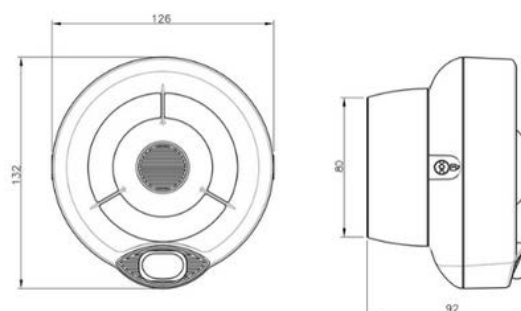
KEY FEATURES

- Bi-directional wireless communication
- 32 tones settings selectable via onboard dip switches
- On-site adjustable volume settings
- Silent sounders setting for beacon only use
- Waterproof certified to IPX5
- 200m communication range (in open air)
- 3 year expected battery life including weekly test
- Utilises standard low-cost lithium battery technology
- 3rd party approval to EN54-3 (type B) and EN54-23
- 5 year product warranty

APPROVALS

- BS EN54-3 (Type B): Fire Alarm Device, Sounders
- BS EN 54-23: Fire Alarm Devices, Visual Alarm Devices

TECHNICAL INFORMATION



RELATED PRODUCT

The Wall Sounder Wireless Module (EUW-SIM-01) is designed for use with the Euro-fi range of modular wall sounders and beacons.

