

DH-SDT5X225-2F-WA-0600

2MP Starlight IR WizMind Network Dual-PTZ Camera



WizMind

- Dual-PTZ system
- 1/2.8" 2Megapixel CMOS
- Powerful 25x optical zoom
- Starlight technology
- Max. 50/60 fps@1080P
- Deep-learning-based auto tracking and perimeter protection
- Support Hi-PoE
- H.265 Encoding
- IP67



Launched by Dahua Technology, Dahua WizMind is a full portfolio of solutions composed of project-oriented products including IPC, NVR, PTZ, XVR, Thermal and software platform which adopts industry-leading deep learning algorithms. Focusing on customer's requirements, WizMind provides precise, reliable and comprehensive AI solutions for verticals.

System Overview

The Dual 2M Starlight Hunter Camera consists of panoramic camera and PTZ camera. Panoramic camera captures panoramas, and then detail camera takes detailed snapshots of objects and keeps tracking objects after rule violations occur. This camera possess wide monitor range and PFA algorithm that can always present a clear, focused image while zooming.

Functions

Dual-PTZ System

Panoramic camera and detail camera of the Dual-PTZ system can be adjusted horizontally and vertically.

Starlight Technology

For challenging low-light applications, Dahua's Starlight Ultra-low Light Technology offers best-in-class light sensitivity, capturing color details in low light down to 0.005 lux. The camera uses a set of optical features to balance light throughout the scene, resulting in clear images in dark environments.

PFA Technology

PFA technology has innovatively introduced new methods of judgment to ensure the accuracy and predictability of the direction of subject distance adjustment. The result is a set of advanced focusing algorithms. PFA ensures clarity of the image throughout the process of zooming and shortens focus time. The realization of PFA technology substantially improves user experience and increases product value.

Smart Tracking

Human, motor vehicle, and non-motor vehicle, or their combinations can be set as objects. Once the objects selected trigger detection rules (like tripwire and intrusion), the detail camera will track them automatically.

Perimeter Protection

Automatically filtering out false alarms caused by animals, rustling leaves, bright lights, etc. Enables system to act secondary recognition for the targets. Improving alarm accuracy.

Interoperability

The camera conforms to the ONVIF (Open Network Video Interface Forum) specifications, ensuring interoperability between network video products regardless of manufacturer.

Technical Specification				
Camera				
Image Sensor	Panoramic: 1/2.8" CMOS Detail: 1/2.8" CMOS			
Pixel	Panoramic: 2MP Detail: 2MP			
Max. Resolution	Panoramic: 1920 (H) × 1080 (V) Detail: 1920 (H) × 1080 (V)			
ROM	8 GB			
RAM	2 GB			
Electronic Shutter Speed	Panoramic: 1/3 s–1/100,000 s Detail: 1/1 s–1/100,000 s			
Scanning System	Progressive			
Min. Illumination	Panoramic: Color: 0.005lux@F1.6 B/W: 0.0005lux@F1.6 Detail: Color: 0.005lux@F1.6 B/W: 0.0005lux@F1.6 0Lux (IR light on)			
Illumination Distance	Panoramic (white light): 30 m (98.43 ft) Detail (IR light): 100 m (328.08 ft)			
Illuminator On/Off Control	Panoramic: SmartIR/Manual/Off Detail: Zoom Prio/Manual/SmartIR/Off			
Illuminator Number	Panoramic: 4 white lights Detail: 4 IR lights			
Lens				
Focal Length	Panoramic: 6 mm (0.24") Detail: 4.8 mm–120 mm (0.19"–4.72")			
Max. Aperture	Panoramic: F1.6 Detail: F1.6–F3.5			
Field of View	Panoramic: H: 53.7; V: 28.7; D: 61.8 Detail: H: 59.6°–4.8°; V: 35.4°–2.7°; D: 66.5°–5.5°			
Optical Zoom	25x			
Focus Control	Auto/Semi-Auto/Manual			
Close Focus Distance	Panoramic: 0.2 m (0.66 ft) Detail: 0.1 m–1.5 m (0.33 ft–4.92 ft)			
Iris Control	Panoramic: Fixed Detail: Auto			
DORI Distance	Detect	Observe	Recognize	Identify
	Panoramic: 88.3 m (289.70 ft) Detail: 1613.8 m (5294.62 ft)	Panoramic: 35.3 m (115.81 ft) Detail: 645.5 m (2117.78 ft)	Panoramic: 17.7 m (58.07 ft) Detail: 322.8 m (1059.06 ft)	Panoramic: 8.8 m (28.87 ft) Detail: 161.4 m (529.53 ft)
PTZ				
Pan/Tilt Range	Panoramic: Pan: 0°–360° endless; Tilt: 0°–30° Detail: Pan: 0°–250°; Tilt: -10°–90°			
Manual Control Speed	Panoramic: Pan: 7°/s–117°/s; Tilt: 3°/s–25°/s Detail: Pan: 1.8°/s–131°/s; Tilt: 0.5°/s–65°/s			
Preset Speed	Panoramic: Pan: 242°/s; Tilt: 58°/s Detail: Pan: 430°/s; Tilt: 243°/s			
Presets	300			
Tour	8 (up to 32 presets per tour)			
Pattern	5			
Scan	5			
Power-off Memory	Support			
Idle Motion	Preset/Tour/Pattern/Scanning			
Protocol	DH-SD Pelco-P/D (auto recognition)			
Artificial Intelligence				
Perimeter Protection	Tripwire, intrusion, abandoned object, and missing object . Support alarm triggering by target types (human and vehicle). Support filtering false alarms caused by animals, rustling leaves, bright lights, etc.			
Smart Tracking	Support			
Video				
Compression	H.265; H.264BaselineProfile; H.264MainProfile; H.264HighProfile; M-JPEG; smart H.265; smart H.264			
Streaming Capability	3 streams			
Resolution	Panoramic: 1080P (1920 × 1080); 960P (1280 × 960); 720P (1280 × 720); D1 (704 × 576/704 × 480); CIF (352 × 288/352 × 240) Detail: 1080P (1920 × 1080); 960P (1280 × 960); 720P (1280 × 720); D1 (704 × 576/704 × 480); CIF (352 × 288/352 × 240)			
Frame Rate	Main stream: 1080P/1.3M/720P (1–50/60 fps) Sub stream 1: D1/CIF (1–25/30 fps) Sub stream 2: 1080P/1.3M/720P/CIF (1–25/30 fps)			
Bit Rate Control	Variable/Constant			
Bit Rate	H.264: 1792 Kbps–9216 Kbps H.265: 512 Kbps–5632 Kbps			
Day/Night	Panoramic: Auto (ICR) Detail: Auto (ICR)			
BLC	Support			
WDR	Panoramic: 120dB Detail: 120dB			
HLC	Support			
White Balance	Panoramic: Auto/Indoor/Outdoor/Tracking/Manual/ Sodium lamp/Natural light/Street lamp Detail: Auto/Indoor/Outdoor/Tracking/Manual/Sodium lamp/Natural light/Street lamp			
Gain Control	Auto/Manual			
Noise Reduction	2D/3D			
Motion Detection	Support			
Region of Interest (RoI)	Support			
Image Stabilization	Electronic			
Defog	Digital			
Digital Zoom	16x			
Flip	0°/180°			
Audio				
Compression	G.711a; G.711mu; G.726; AAC; MPEG2-Layer2; G.722.1; G.729			

Network

Ethernet	RJ-45 (10/100Base-T)
Protocol	IPv4; IPv6; HTTP; HTTPS; 802.1x; Qos; FTP; SMTP; UPnP; SNMP; DNS; DDNS; NTP; RTSP; RTP; TCP; UDP; IGMP; ICMP; DHCP; PPPoE; ARP; SNMPv1/v2c/v3 (MIB-2); RTCP
Interoperability	ONVIF Profile S&G&T; CGI
Streaming Method	Unicast/Multicast
User/Host	20 (Total bandwidth 64M)
Storage	P2P; FTP; Micro SD (256G)
Browser	IE7 and later versions Chrome 45 and earlier versions Firefox 52 and earlier versions Safari 12 and earlier versions
Management Software	SmartPSS; DSS; NVR

Certifications

Certifications	CE: EN55032/EN55024/EN50130-4 FCC: Part15 subpartB,ANSI C63.4-2014
----------------	---

Port

Audio Input	1 (LINE IN bare wire)
Audio Output	1 (LINE OUT bare wire)
Alarm I/O	2/1 Digital input: 0-5V DC

Power

Power Supply	DC36V/2.23A±25% Hi-PoE
Power Consumption	Basic: 21W Max.: 40W (PTZ, zoom, focus, IR light, white light, and smart plan enabled)

Environment

Operating Temperature	-40°C to +70°C (-40°F to +158°F)
Operating Humidity	≤95%
Protection	IP67; TVS 8000V lightning protection; surge protection

Structure

Dimensions	385 mm × Φ277 mm (15.16" × Φ10.91")
Net Weight	9 kg (19.84 lb)
Gross Weight	13.8 kg (30.42 lb)

Ordering Information

Type	Model	Description
2MP WizMind PTZ camera	DH-SDT5X225-2F-WA-0600	2MP Starlight IR WizMind Network Dual-PTZ Camera, PAL
	DH-SDT5X225N-2FWA-0600	2MP Starlight IR WizMind Network Dual-PTZ Camera
	SDT5X225-2F-WA-0600	2MP Starlight IR WizMind Network Dual-PTZ Camera, PAL
	SDT5X225N-2F-WA-0600	2MP Starlight IR WizMind Network Dual-PTZ Camera, NTSC

Accessories	DC36V/2.23A	Power Adapter
	PFB306W-S	Wall Mount Bracket
	PFA150	Pole Mount Bracket
	PFB300C-S	Ceiling Mount Bracket

Accessories

Included:



DC36V/2.23A
Power Adapter



PFB306W-S
Wall Mount Bracket

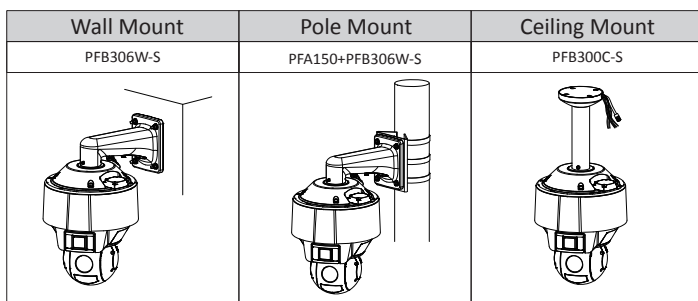
Optional:



PFA150
Pole Mount Bracket



PFB300C-S
Ceiling Mount Bracket



Dimensions (mm[inch])

