

DHI-KTX03

Video Intercom KIT



Technical Specification

DHI-VTH2123GW-W

System

Main Processor	Embedded Processor
Operating System	Embedded operating system
Network Protocol	UDP;TCP;IPv4;DNS

Basic

Screen Type	Capacitive Touchscreen
Display Screen	7" TFT
Screen Resolution	1024 (H) × 600 (V)
Audio Compression	G.711a; G.711u; PCM
Audio Input	1 channel
Audio Output	Built-in speaker
Audio Mode	Two-way audio with VTO (half-duplex); Two-way audio with app (full-duplex)
Audio Enhancement	Echo suppression/digital noise reduction
Audio Bit Rate	16 KHz; 16 Bit

Function

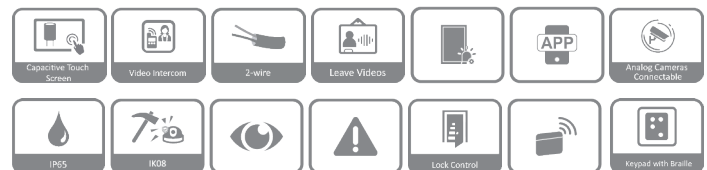
Leave Videos	Yes (SD card needed)
DND Mode	Do not disturb period can be set; Do not disturb mode can be set
Number of Extensions	5
Wi-Fi	Yes
Wireless Standard	IEEE802.11b; 802.11g; 802.11n
Wireless Frequency Range	2.4 GHz
Storage	Micro SD card (up to 64 GB)

VTH:

- 7" TFT capacitive touch screen.
- Offers video intercom that communicates with VTOs through half-duplex, and the app through full-duplex.
- Supports recording videos and capturing snapshots (SD card is required).
- 6-channel alarm input and 1-channel alarm output.
- The app can be used to receive calls and alarm notifications.
- Surface mount.
- Connects to HDCVI cameras.

VTO:

- Aluminum alloy front panel.
- Offers video intercom that communicates with VTOs through half-duplex.
- Auto IR illumination.
- Supports leaving audio and video messages when no one responds through the indoor monitor (an SD card is required).
- Includes the nameplate.
- Digital Wide Dynamic Range (DWDR).
- Supports local lock and second lock.
- Tamper alarm.
- IP65 and IK08 rated.
- Features 3 unlock methods: IC card, password and remote unlock.
- Keypad with Braille.



Port

RS-485	1
Alarm Input	6
Alarm Output	1 channel
Power Output	1 (12 V, 200 mA)
Door Bell	Yes (use the alarm input port)

Performance

Casing Material	PC + ABS
-----------------	----------

General

Appearance Color	White
Power Supply	2-wire Controller
Power Adapter	Optional
Installation	Surface Mount

Certifications	CE
Accessory	Included: Power cord 485 and Power output ribbon cable alarm ribbon cable bracket branch terminal Sold separately: 2-wire controller
Product Dimensions	134.6 mm × 189.6 mm × 24.0 mm (5.30" × 7.46" × 0.94")
Operating Temperature	-10 °C to +55 °C (14 °F to +131 °F)
Operating Humidity	10%–90% (RH)
Operating Altitude	0 m–3000 m (0 ft–9842.52 ft)
Power Consumption	≤ 4 W (standby), ≤ 10 W (working)
Gross Weight	622 g (1.37 lb)
Storage Temperature	0 °C to 40 °C (32 °F to 104 °F)
Storage Humidity	30%–75%
Anti-corrosion Level	Basic Protection
Operating Environment	Indoor

DHI-VT02023S

System

Main Processor	Embedded Processor
Button Type	Mechanical

Basic

Camera	1/2.8" 2 MP CMOS HDR Camera
Field of View	H: 84°; V: 43°; D: 99°
WDR	DWDR
Noise Reduction	3D NR
Video Resolution	P: 960 (H) × 576 (V) N: 960 (H) × 480 (V)
Video Frame Rate	P: 25 fps N: 30 fps
Light Compensation	Auto IR
Day/Night	Auto(ICR)/Color/B/W
Audio Input	1 channel
Audio Output	Built-in speaker
Audio Mode	Two-way audio (half-duplex)

Function

Unlock Mode	IC card; password; remote unlock
Card Type	IC card
Leave Videos	Yes (SD card inserted in VTH is needed)

Performance

Card Reading Distance	0 cm-2 cm
-----------------------	-----------

Issue Card Locally	Yes
Casing Material	Aluminum alloy

Capacity

Card Capacity	100
---------------	-----

Port

RS-485	1
Alarm Output	1
Power Output	1 (12 V, 500 mA)
Exit Button	1
Door Status Detection	1
Lock Control	1

Alarm

Tamper Alarm	Yes
--------------	-----

General

Unlock Password Mode	Personal password
Appearance Color	Silvery white
Power Supply	2-wire Controller
Power Adapter	Optional
Installation	Surface Mount
Certifications	CE
Accessory	Sold separately: 2-wire controller
Product Dimensions	205.8 mm × 85.3 mm × 46.5 mm (8.10" × 3.36" × 1.83")
Protection	IP65 IK08
Operating Temperature	-40 °C to +60 °C (-40 °F to +140 °F)
Operating Humidity	10%–90% (RH), non-condensing
Operating Environment	Outdoor
Operating Altitude	0 m–3000 m (0 ft – 9842.52 ft)
Power Consumption	≤ 2 W (standby), ≤ 12 W (working)
Gross Weight	978 g (2.16 lb)
Anti-corrosion Level	Basic Protection

VTNC1003C

Port

Power Output	48 V/0.9 A
--------------	------------

Performance

Casing Material	PC+ABS
-----------------	--------

General

Appearance Color	White
Power Supply	48 VDC

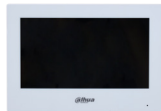
Power Adapter	48 V/0.9 A
Certifications	CE/FCC
Accessory	Line termination terminal
Product Dimensions	65.2 mm × 46.2 mm × 23.2 mm (2.57" × 1.82" × 0.91")
Operating Temperature	-10 °C to +55 °C (+14 °F to +131 °F)
Operating Humidity	10%–95% (RH)
Operating Altitude	0 m–3,000 m (0 ft–9,842.51 ft)
Power Consumption	3.5 W
Gross Weight	130 g (0.29 lb)
Anti-corrosion Level	Basic Protection

Ordering Information		
Type	Model	Description
KIT	DHI-KTX03	Video Intercom Kit. It includes: DHI-VTO2023S: 2-wire Hybrid Villa Door Station DHI-VTH2123GW-W: 2-wire Wi-Fi Hybrid Indoor Monitor VTNC1003C: 2-wire Controller 1 × Power Adapter 1 × Power Cord

Relevant Products



DHI-VTO2023S

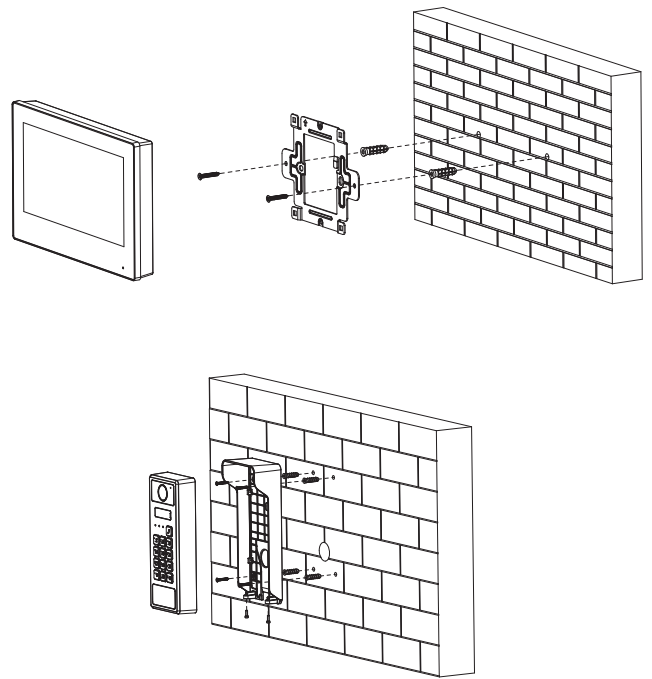


DHI-VTH2123GW-W

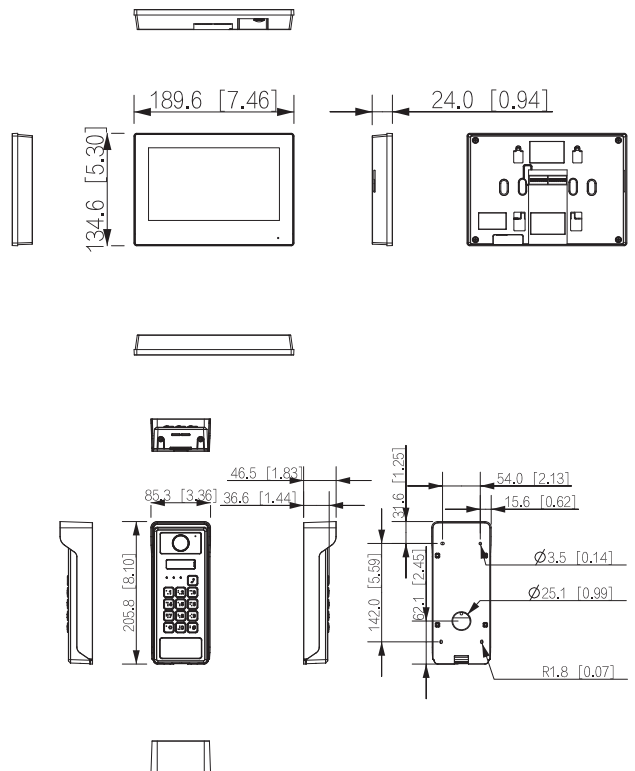


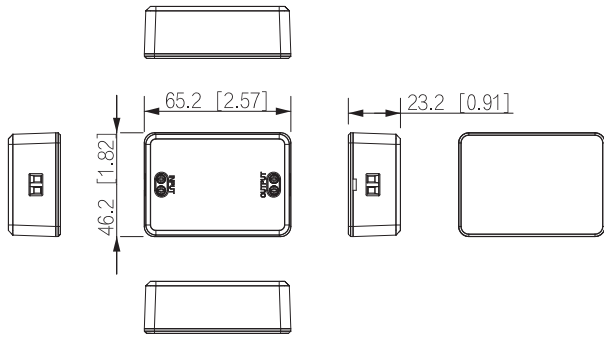
VTNC1003C

Installation



Dimensions (mm[inch])





Application

